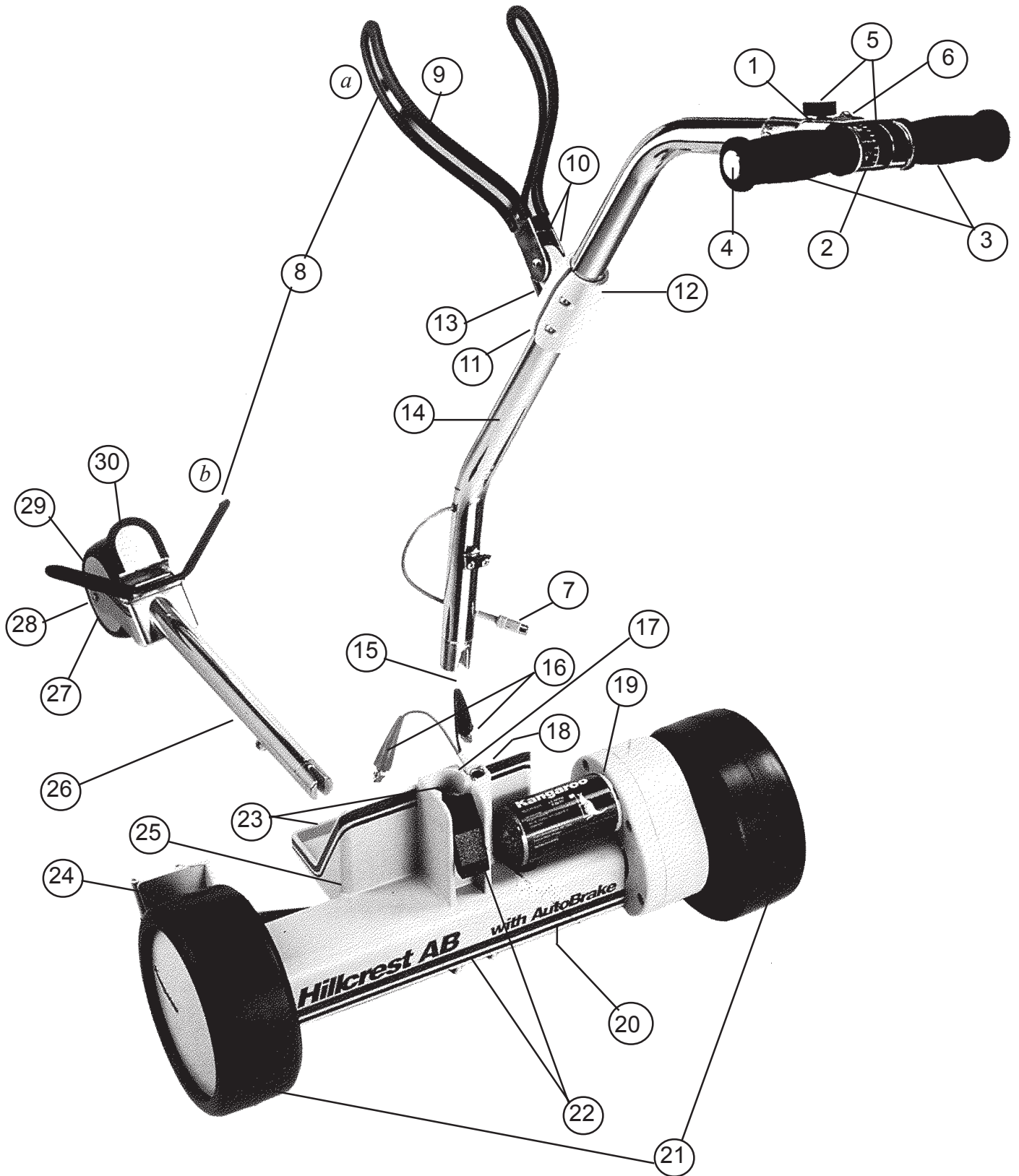


Hillcrest AB Parts List



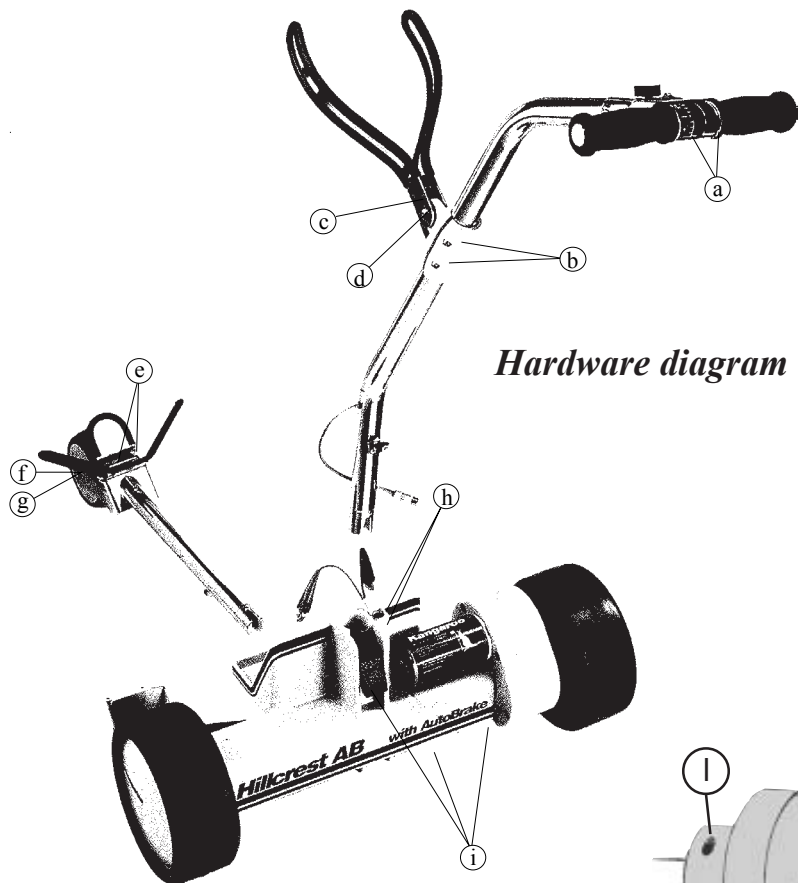
Hillcrest AB Parts List

(from Diagram)

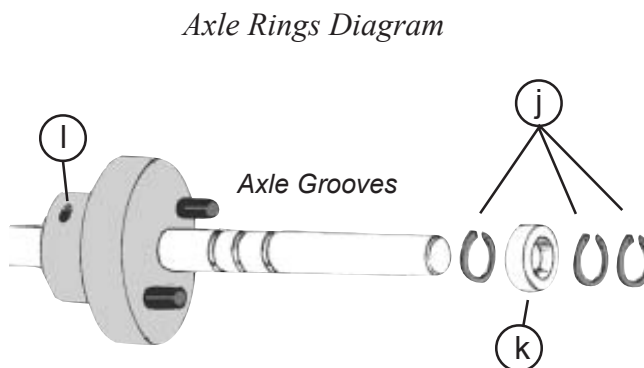
Ref.#	Price	Part Code	Part Description
1	\$ 2.50	Misc	Decal for Distance Timer
2	\$ 2.25	Misc	Decal for Speed Control
3	\$ 4.95	400-411	Cushioned Handle Grip (prior to Serial No. 87000)
3a	\$ 4.95	400-411A	Handle Grip
5	\$ 2.95	400-280	Speed/Distance Knobs
6	\$ 16.95	400-320	On/Off Rocker Switch
7	\$ 27.95	400-810	Control cable w/plug
8a	\$ 4.00	700-008	Upper Bag Huggers (2 @ 4.00 each)
8b	\$ 3.00	700-009	Lower Bag Huggers (2 @ 3.00 each)
9	\$ 41.95	407-480	Yoke "stainless"
10	\$ 1.95	400-416A	Delrin yoke washer
11	\$ 18.49	407-414	Top yoke clamp w/cork
12	\$ 13.00	407-413	Bottom yoke clamp
13	\$ 8.95	400-421A	Yoke stop Metal
—	\$ 85.00	400-490	Yoke assembly complete
14	\$ 267.00	400-400	Upper Tube Complete (Handle)
15	\$ 2.25	800-430	Tube plug shim "teflon"
16	\$ 15.95	900-001	Croc Clip Kit (Clips & connectors)
17	\$ 15.95	100-001A	Croc Clips with wire
18	\$ 13.95	100-790A	Control wire w/Receptacle
19	\$ 530.00	101-103B	Motor w/Geardrive
20	\$ 169.00	100-106	Control "Circuit" Board
21	\$ 62.00	201-201A	Wheel & Tire Assembly
22	\$ 14.95 {each}	100-140A	Drawlatch "two per motorcaddie"
23	\$ 2.95	100-107B	Chassis insert
24	\$ 34.00	600-102	Seat Bracket "polycoated"
25	\$ 135.00	100-116	Chassis w/out inserts "no Decals"
26	\$ 139.00	300-300	Front Wheel and Tube assembly
27	\$ 4.48	300-311B	Front Wheel half "2 = 1 wheel"
28	\$ 11.95	300-309	Front wheel axle
29	\$ 15.95	300-310B	Front tire
27+28	\$ 35.50	300-312A	Front wheel & tire assembly
30	\$ 24.75	307-307	Lower Bag Mount

Hillcrest AB

Parts and Price List eff. February 18, 2010



Hardware diagram



Axle Rings Diagram

Ref #	Qty	Part Code	Description	Needed
#	Cost			
a	.49	899-370	Handle screws	2
b	.49	899-360A	Yoke clamp screw	4
c	.49	899-490	Yoke Bolt	1
--	.49	899-492	Yoke Lock Nut	1
d	.49	899-830B	Yoke stop screw	1
e	.49	800-220	Lower Bag Mt. screw	2
f	.49	899-309	Front wheel screws	2
g	.49	899-310	Front wheel star washer	2
h	.49	899-110	Recpt. screws	2
i	.49	899-150	Drawlatch screws	6
			Control board screws	4
<hr/>				
j	1.00	800-410	Axle Retainer Ring	6
k	.79	800-512A	AB axle ring spacer	2
l	.79	DRP	Roll Pin 3/16x1 1/2	2

Hillcrest AB Parts List

(Not Shown on Diagrams)

Part Price	Part Code	Part Description
\$25.00	110-900	AB long axle
20.00	110-800	AB Short axle
19.59	DAH-3	Hub Dx w/pins (left side)
19.59	DAH-5	Hub AB w/pins (right side)
35.00	400-309A	Speed potentiometer
35.00	400-310	Distance Potentiometer
10.95	100-010A	Axle bearing
99.00	600-100A	Hillcrest Seat (complete)

All prices effective February 18, 2010.

Manufacturer-direct prices in USA.

Subject to change without notice.

Kangaroo Products

111 Kangaroo Drive

P O Box 607

Columbus, NC 28722

Ph (828) 894-8241

Fax (828) 894-2718

walk@kangaroogolf.com



www.KangarooGolf.com/support

abprt1st2010